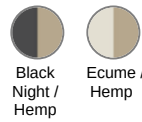


KI5601

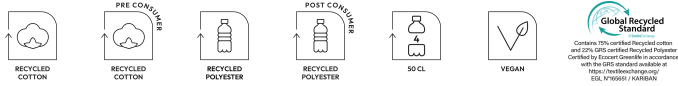
Recycled duffel bag

- Resistant duffel bag made from recycled materials.
- Incredibly comfortable 4.25-cm wide handles.
- Front pocket with zip fastening for added storage.

Cotton / polyester. Black night colour 67% cotton / 30% polyester/ 3% other fibers. Ecume color 75% cotton / 22% polyester / 3% other fibers. Backpack made of recycled cotton and recycled polyester. The 4.25-cm handles for extra comfort in contrasting colours are stitched all around the bag for a touch of originality and greater durability. The bag has a front pocket with a zip fastening.



Certifications

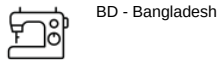


More information

Logistic



Country of origin



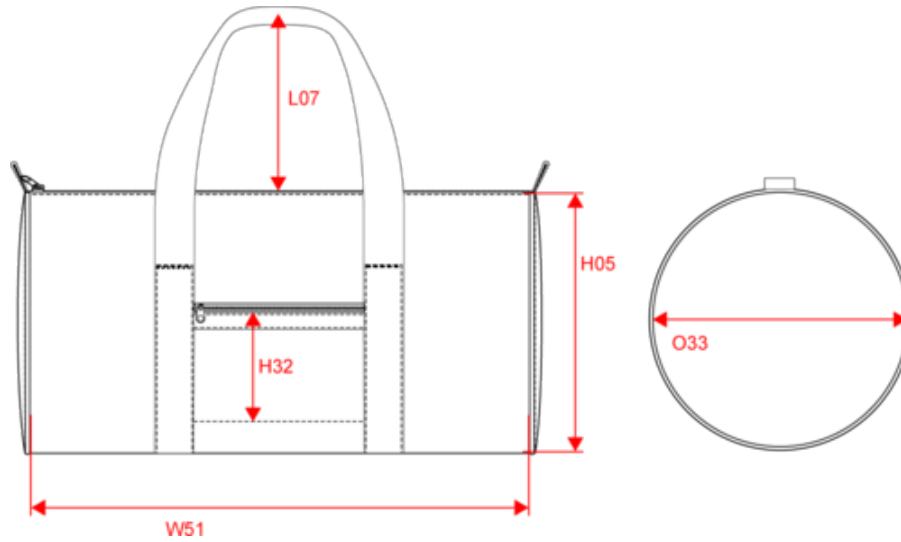
Customs code



KI5601

Recycled duffel bag

Dimensions (cm)



Measurements in cm	One Size
H05 - Total height	25.00
H32 - Front pocket height	20.00
L07 - Height of shoulder belt	25.00
O33 - Deep of bottom part	25.00
W51 - Total width	50.00



KI5601

Recycled duffel bag

Colours information



Black Night

RVB : 39,39,41
Pantone C : Neutral Black C
Pantone TCX : 19-4006TCX

Hemp

RVB : 165,143,116
Pantone C : 7504C
Pantone TCX : 16-1315TCX



Ecume

RVB : 221,211,194
Pantone C : 482C
Pantone TCX : 12-0304TCX

Hemp

RVB : 165,143,116
Pantone C : 7504C
Pantone TCX : 16-1315TCX

Logistic



1



30

Sizes	Width (cm)	Height (cm)	Length (cm)	Net weight (kg)	Gross weight (kg)	Pieces/Box	Pieces/Bundle
One Size	54	30	41		11.9	30	1