

REFERENCE : KI0403

SIZES : U

COMPOSITION :

Main fabric : Polyester oxford 600D PVC backing 100% polyester

Lining : Polyester 210D PU backing - 75 As lining for back panel and flap. 100%polyester

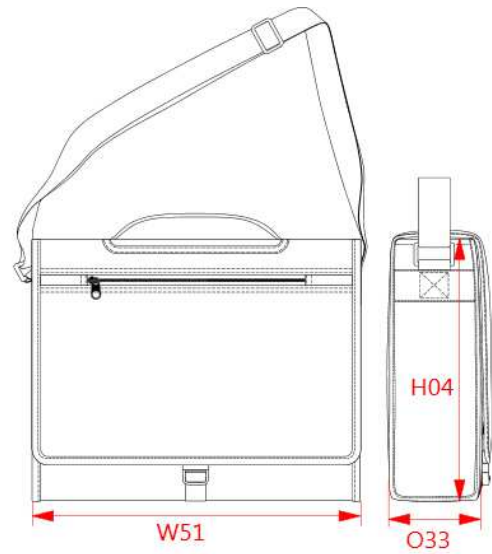
Padding : special PAD for shoulder & shoulder straps of backpacks Thickness 4mm. On inside of the handle.

FABRIC CONSTRUCTION AND FINISHING :

Polyester 600D PVC backing

ARTICLE WEIGHT :

350 gr/pc



DESCRIPTION	
Français :	Porte document
English :	Shoulder belt document bag
Nederlands :	Shoulder belt document bag
Deutsch :	Schulter-Dokumententasche
Español :	Carpeta porta documentos
Italiano :	Cartella porta documenti
Português :	Mala porta documentos

COLORS	PANTONE SERIGRAPHIE
Black	Black
Corde	402C
Royal blue	287C
Slate grey	424C
Burnt lime	583C
Red	1795C

MEASUREMENT	
Description	U
W51 Total width	38
H04 Hauteur coté / Side length	31
O33 Deep of bottom part	10

PACKING	
Box	30 pcs / box U => L:43cm W:41cm H:41cm GW:11,4kg NW:10,4kg