

**REFERENCE :** KI0332

**SIZES :** U

**COMPOSITION :**

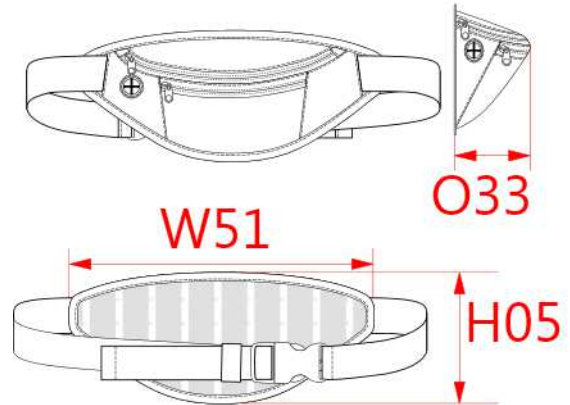
Main fabric : Polyester ripstop 190T PU backing 100% polyester  
 Lining : Polyester 210D PU backing - 75 Inside of back panel + front pocket. 100%polyester  
 Mesh : Polyester mesh - 60 For inner pocket on main compartment. 100%polyester  
 Mesh 1 : Polyester mesh - 70 On back panel. 100%polyester  
 Material 7 : EVA quality 3mm thickness. On inside of back panel. 100%ethylene vinyl acetate

**FABRIC CONSTRUCTION AND FINISHING :**

PU backing

**ARTICLE WEIGHT :**

110 gr/pc



DESCRIPTION	
<b>Français :</b>	Sac de ceinture / banane
<b>English :</b>	Waist bag
<b>Nederlands :</b>	Heuptas
<b>Deutsch :</b>	Gürteltasche
<b>Español :</b>	Riñonera
<b>Italiano :</b>	Marsupio
<b>Português :</b>	Bolsa de cintura

COLORS	PANTONE SERIGRAPHIE
Black	Black

MEASUREMENT	
Description	U
<b>H05</b> Hauteur totale / Total height	14
<b>W51</b> Total width	32
<b>O33</b> Deep of bottom part	8

PACKING	
Box	100 pcs / box U => L:58cm W:36cm H:42cm GW:12Kg NW:11Kg