

KARIBAN

K423

2-layer softshell bodywarmer

- 2-layer softshell for heat retention.
- Water-repellent outer, microfleece inner.
- Offers perfect comfort thanks to its elastic fabric.

95% polyester / 5% elastane. Inner: 100% polyester microfleece. Water repellent fabric. 2 zipped outer pockets. Contrasting zip fastenings. Topstitching finish on shoulders and sides. Certified STANDARD 100 by OEKO-TEX® N° CQ1007/8, IFTH.



XS - S - M - L - XL - XXL - 3XL - 4XL



300 g/m²



More information

Logistic



1



16



Country of origin

BD - Bangladesh

Customs code



62024010

Washing instructions



Black



Navy



Titanium

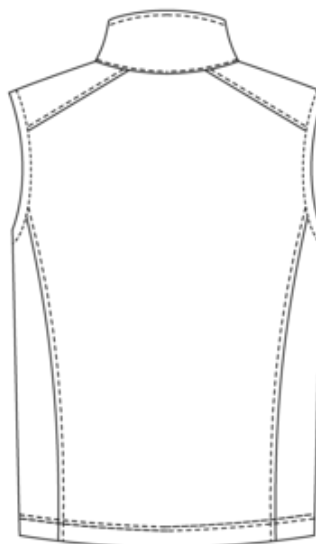
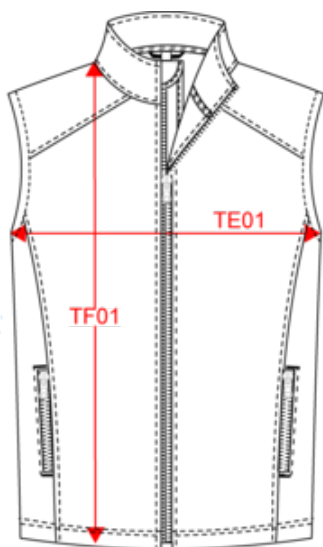


KARIBAN

K423

2-layer softshell bodywarmer

Dimensions (cm)



Measurements in cm	XS	S	M	L	XL	XXL	3XL	4XL
TE01 - 1/2 chest width at 1.5cm below armhole	49.00	52.00	55.00	58.00	61.00	64.00	67.00	70.00
TF01 - Total height from HSP	70.00	72.00	74.00	76.00	78.00	80.00	82.00	84.00

KARIBAN

K423

2-layer softshell bodywarmer

Colours information



Black

RVB : 35,35,37
Pantone C : Black
Pantone TCX : 19-4004TCX



Navy

RVB : 41,46,56
Pantone C : 433C
Pantone TCX : 19-4012TCX



Titanium

RVB : 67,68,70
Pantone C : 446C
Pantone TCX : 19-0201TCX

Logistic



1



16

Sizes	Width (cm)	Height (cm)	Length (cm)	Net weight (kg)	Gross weight (kg)	Pieces/Box	Pieces/Bundle
XS	0.00	0.00	0.00	0.00000	0.00000	16	0
S	0.00	0.00	0.00	0.00000	0.00000	16	0
M	0.00	0.00	0.00	0.00000	0.00000	16	0
L	0.00	0.00	0.00	0.00000	0.00000	16	0
XL	0.00	0.00	0.00	0.00000	0.00000	16	0
XXL	0.00	0.00	0.00	0.00000	0.00000	16	0
3XL	0.00	0.00	0.00	0.00000	0.00000	16	0
4XL	0.00	0.00	0.00	0.00000	0.00000	16	0