

KARIBAN

K269

Kids' long-sleeved polo shirt

- Comfortable fashion slim fit.
- Elastane in the ribbing on the cuffs to stop them losing their shape.
- No label: 100% customisable for your brand.

100% cotton (except in the Oxford Grey colourway: 90% cotton and 10% viscose). Combed cotton. Straight fit. Pre-shrunk piqué knit. Placket with 2 matching buttons. Taped neck in main material and matching colour. 1x1 ribbed neck. 1x1 ribbed cuffs with a tubular finish. Elastane in the ribbing on the cuffs to prevent them from going out of shape. Twin-needle overstitched finish on the bottom hem of the garment. No brand label on the collar, only a size tag for easy decoration.



4/6 ans - 6/8 ans - 8/10 ans - 10/12 ans -
12/14 ans



180 g/m²

No Label

More information

Logistic



5



25



BD - Bangladesh

Country of origin

Customs code



61051000



Black



Light
Royal
Blue



Navy



Oxford
Grey



Red



White

Washing instructions



Also available in version



K257

K256

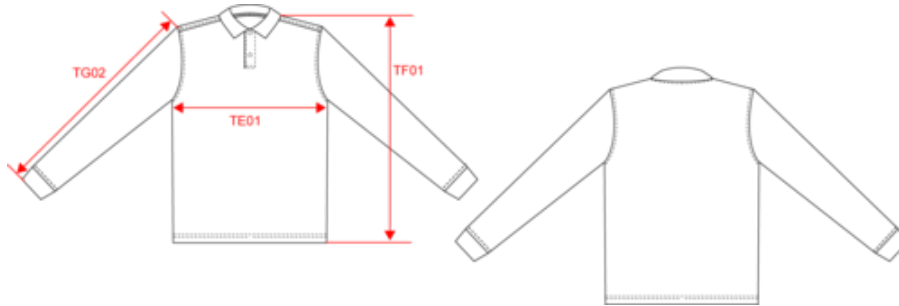


KARIBAN

K269

Kids' long-sleeved polo shirt

Dimensions (cm)



Measurements in cm	4/6	6/8	8/10	10/12	12/14
TE01 - 1/2 chest width at 1.5cm below armhole	34.70	36.40	39.00	42.50	46.00
TF01 - Total height from HSP	45.15	49.95	54.75	59.55	64.35
TG02 - Long sleeve length	40.40	44.60	49.00	53.60	58.20

